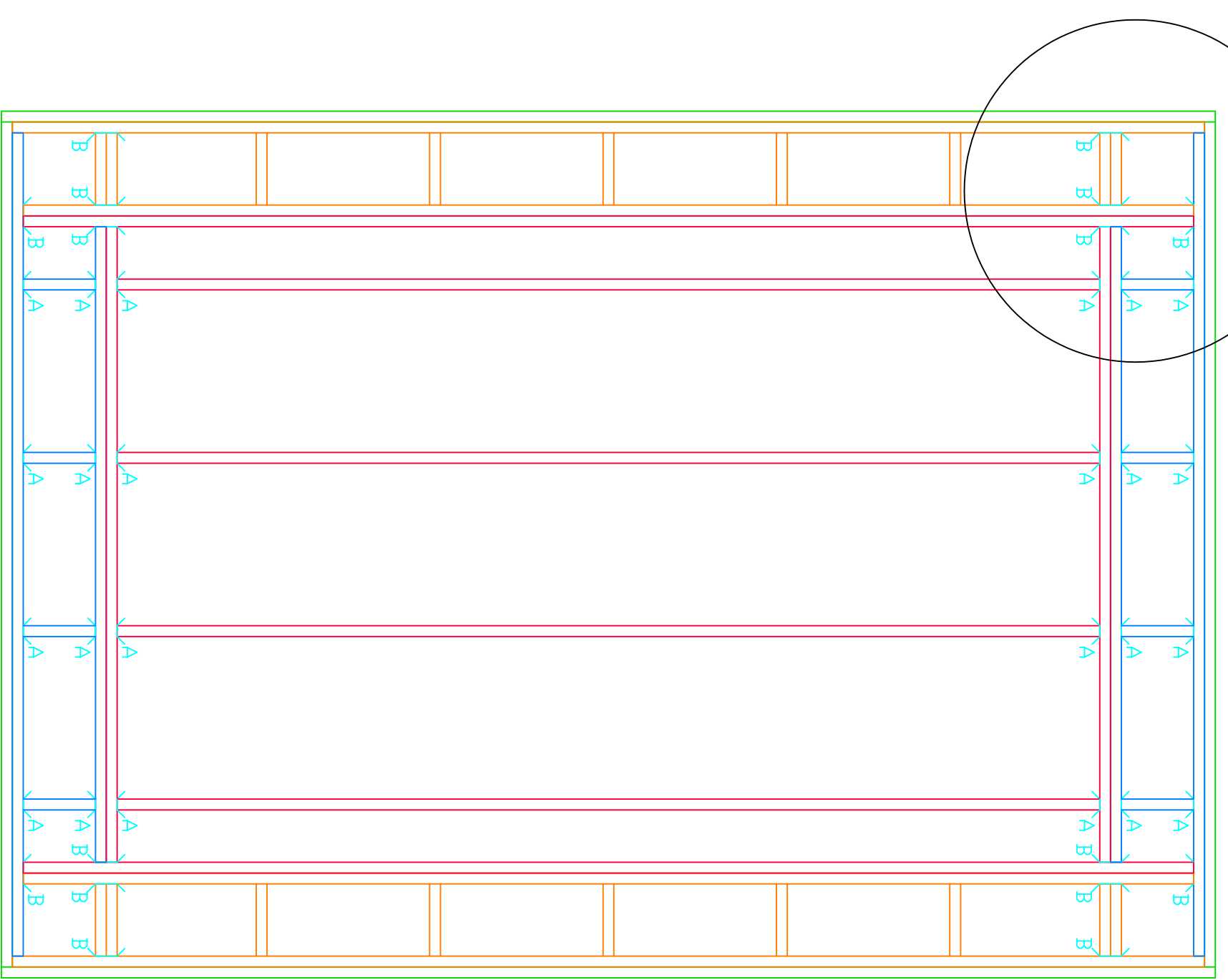


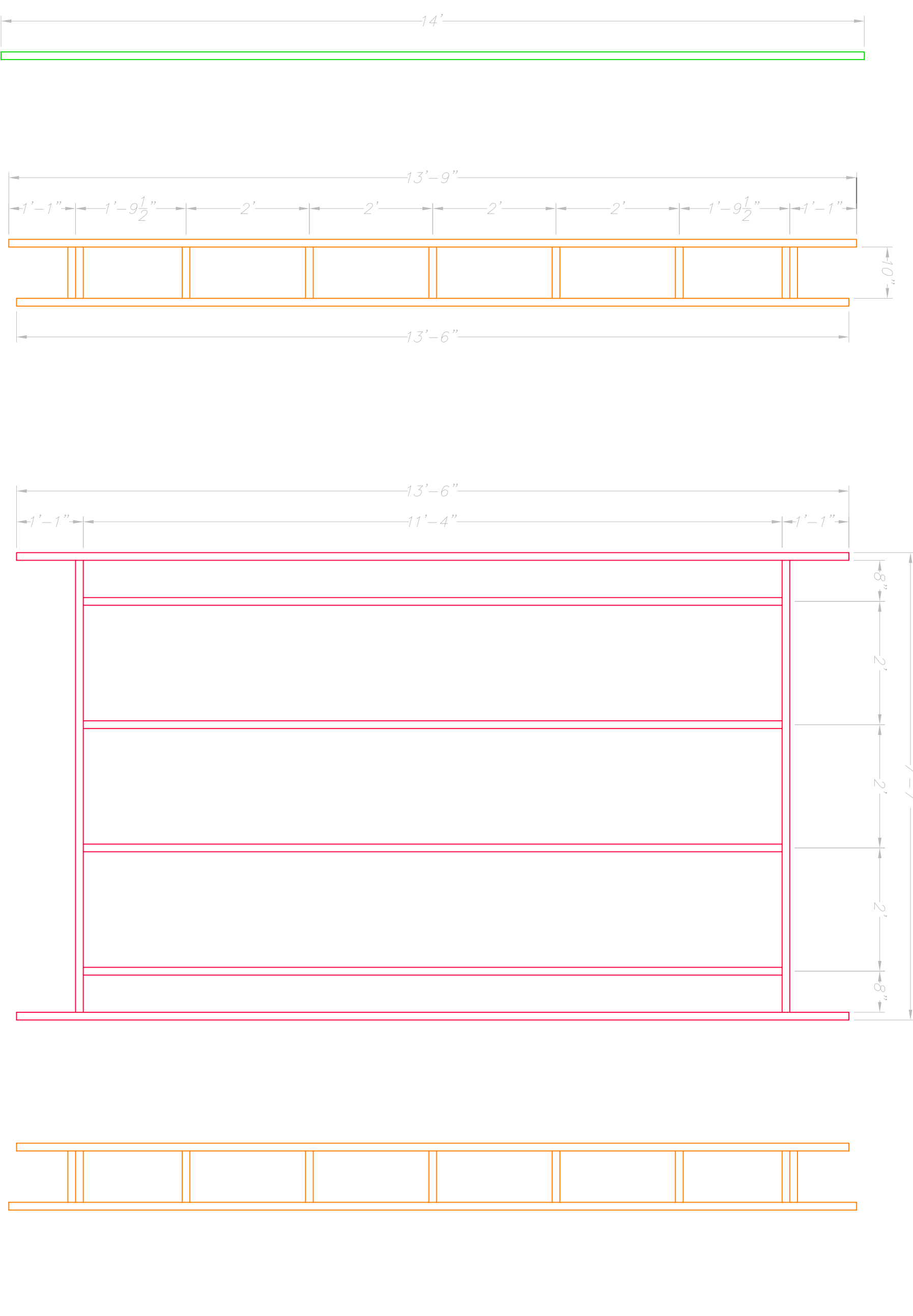
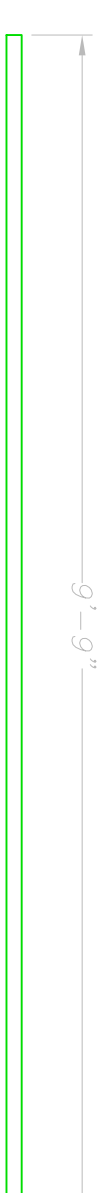
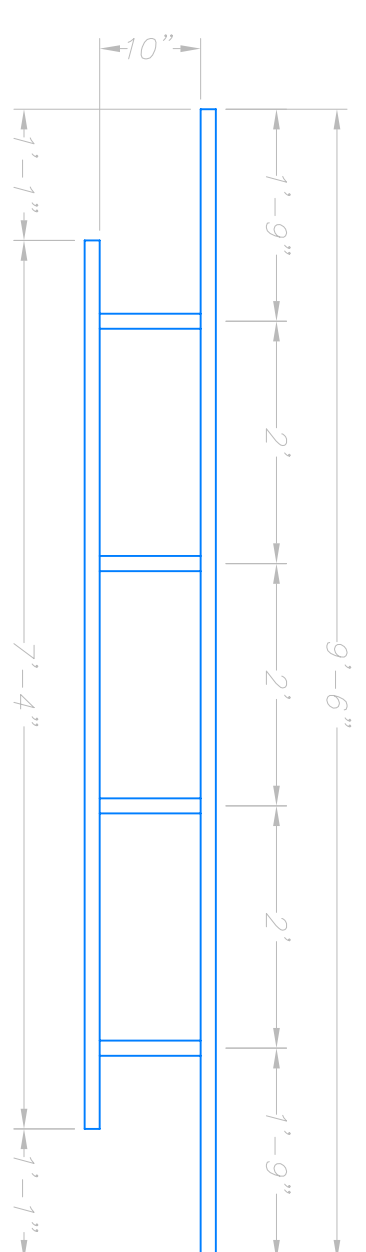
DETAIL A



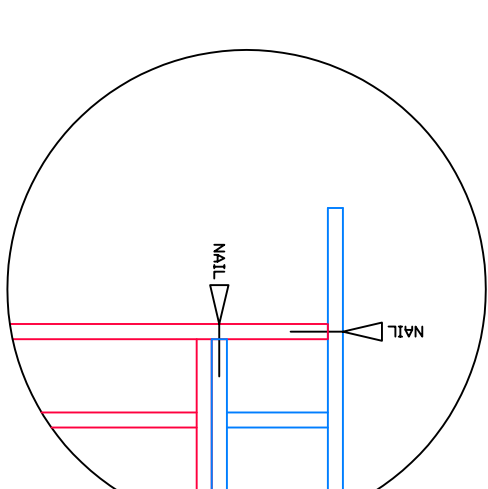
STEPS FOR BUILDING DECK

- **build center frame ladders (DETAIL A-1)**
- **build and attach side ladders (DETAIL A-2)**
- **wrap double rim joist (DETAIL A-3)**
- **install hangers (upside down) (DETAIL A-4)**
- apply house wrap
- apply PT plywood
- flip deck
- insulate
- apply vapour barrier
- apply 3/4" T&G plywood
- install strong ties on corners

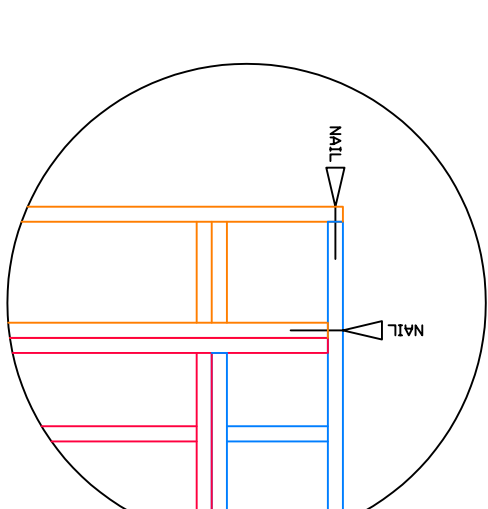
NOTE: This order of operations for the assembly of the deck allows for placement of nails (or screws) as indicated in details for maximum strength.



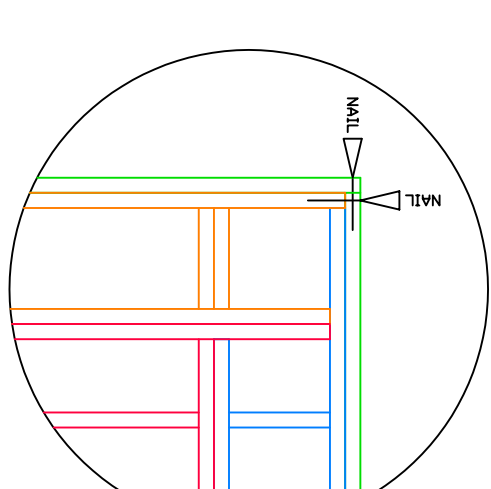
DETAIL A-1



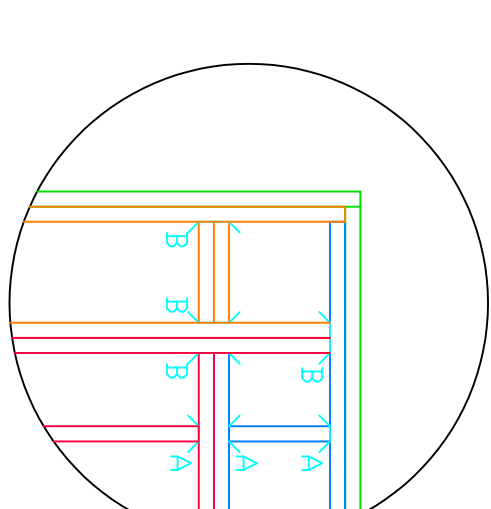
DETAIL A-2



DETAIL A-3



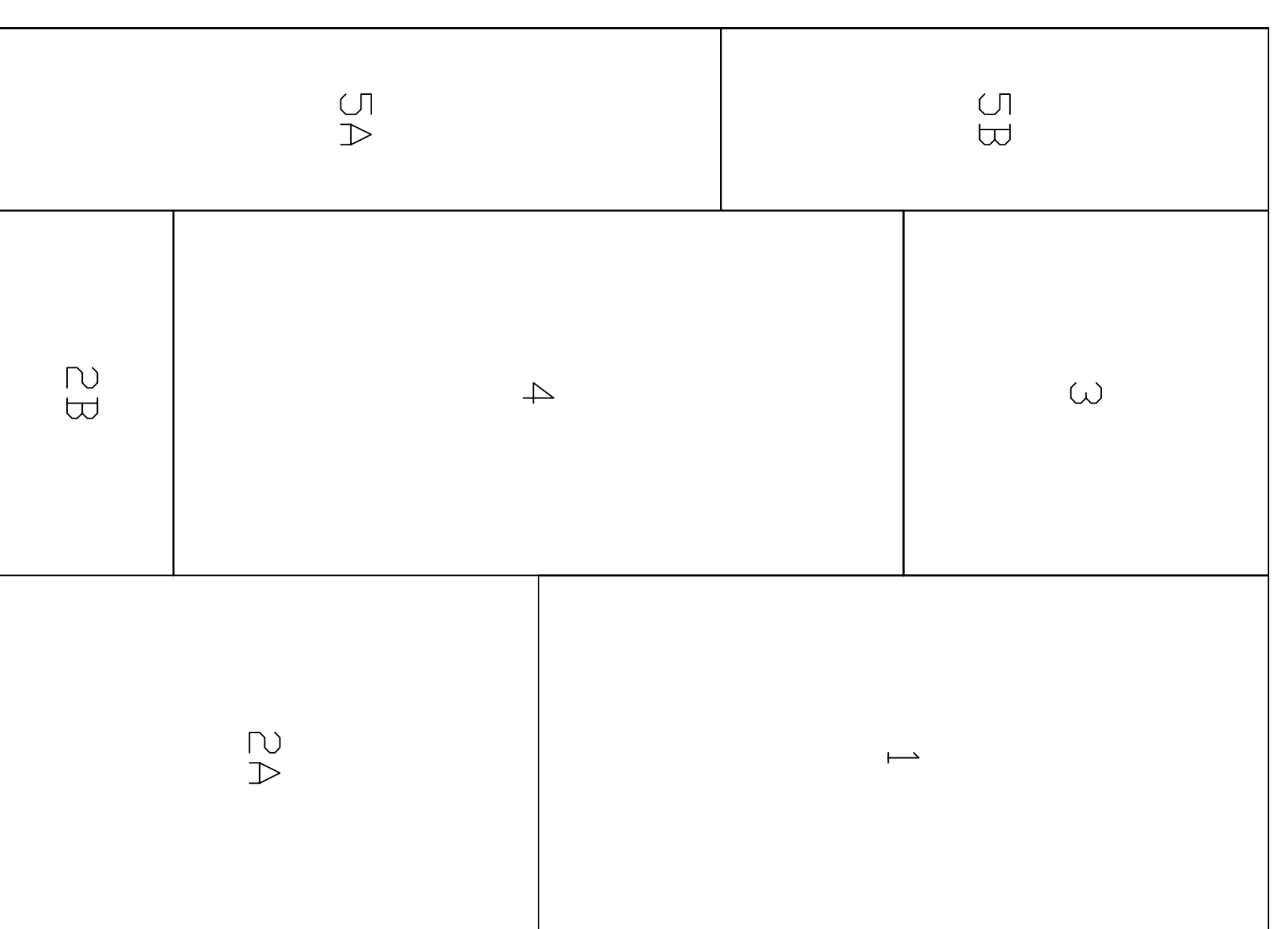
DETAIL A-4



PLYWOOD CUTTING GUIDE

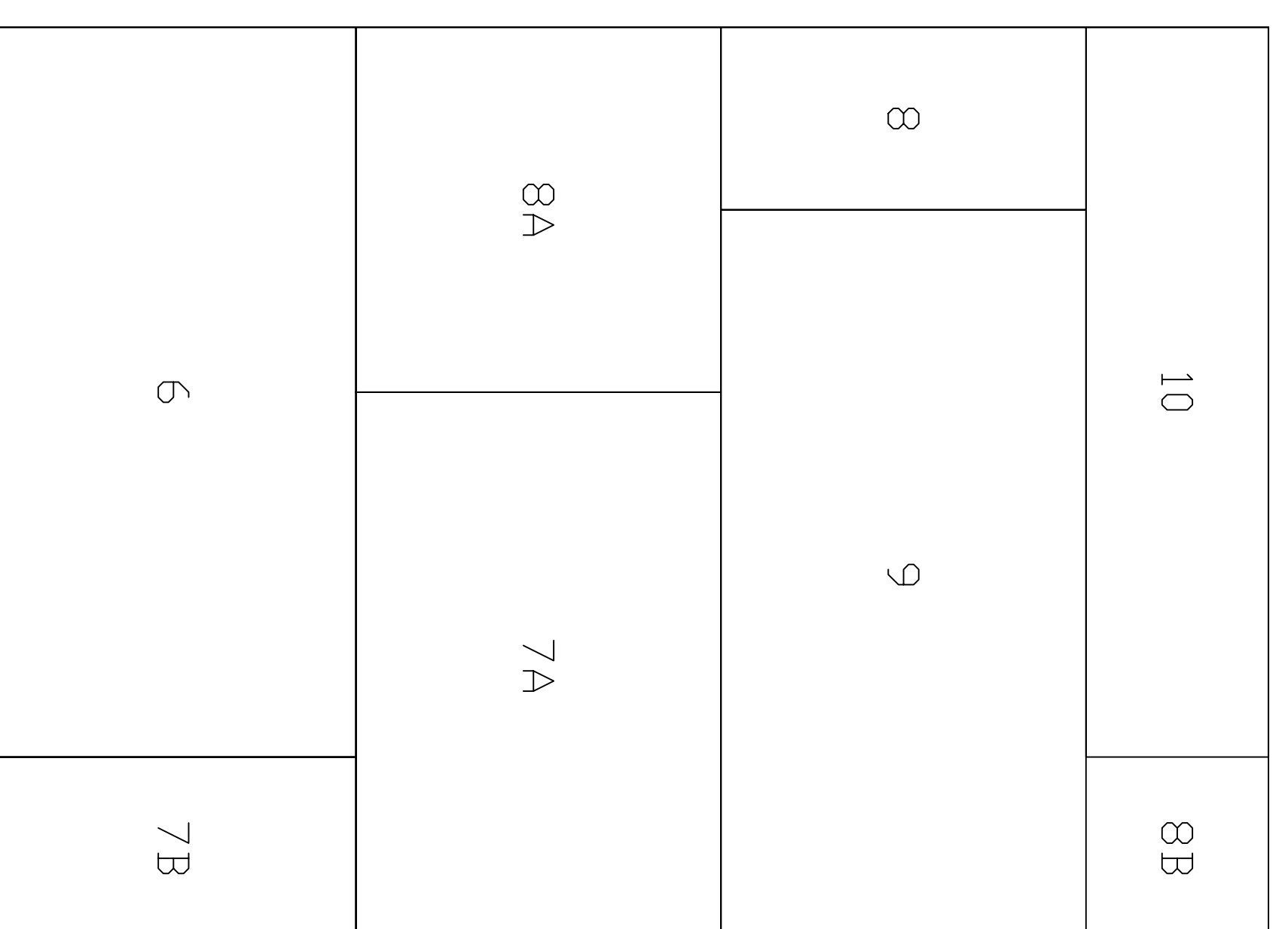
BOTTOM PLYWOOD

1/2" PT INSTALL WITH DECK UPSIDE DOWN

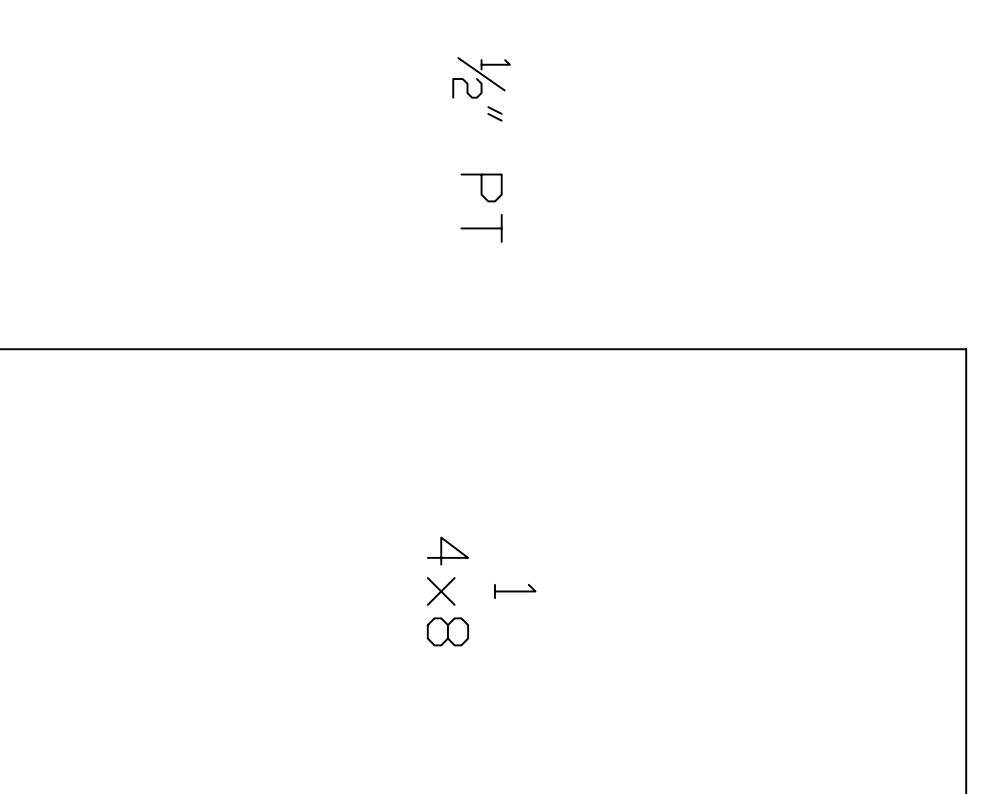


TOP PLYWOOD

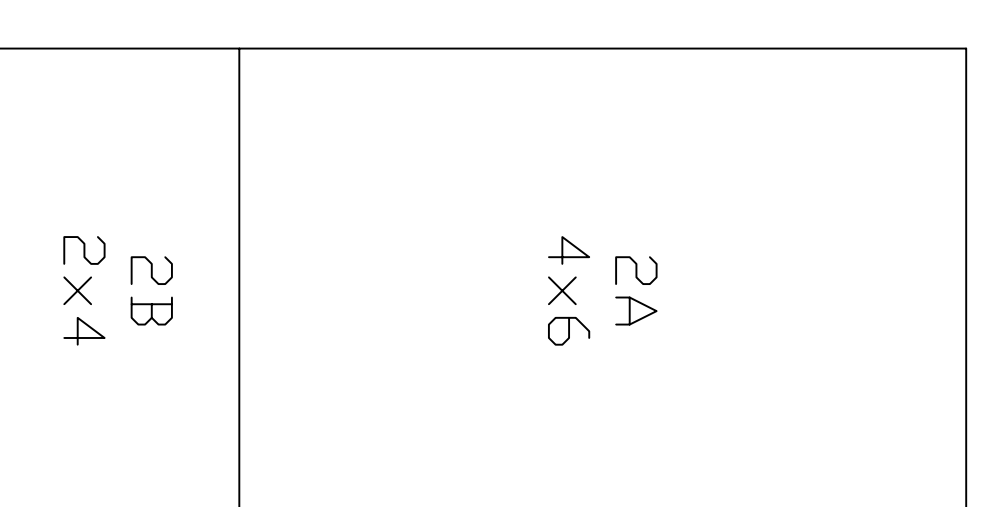
3/4" T&G INSTALL WITH DECK RIGHT SIDE UP



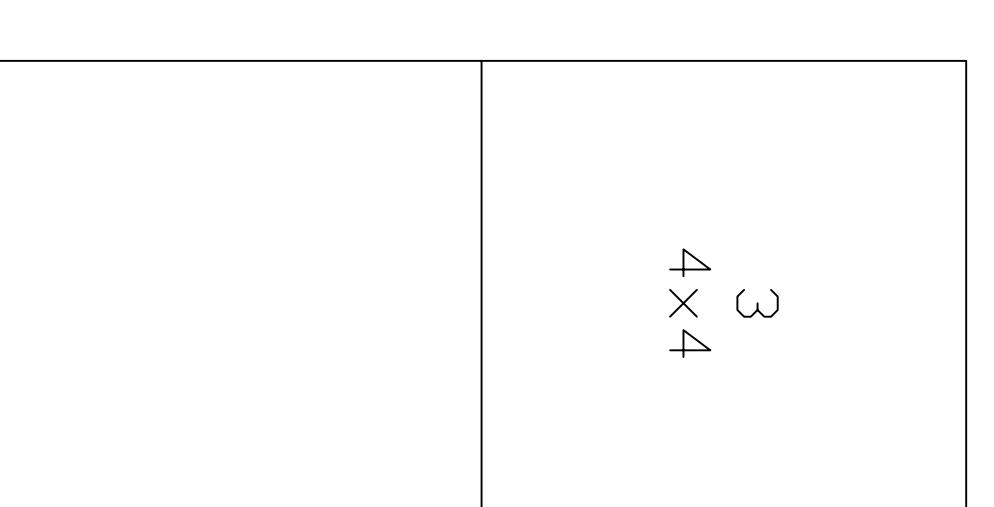
SHEET 1



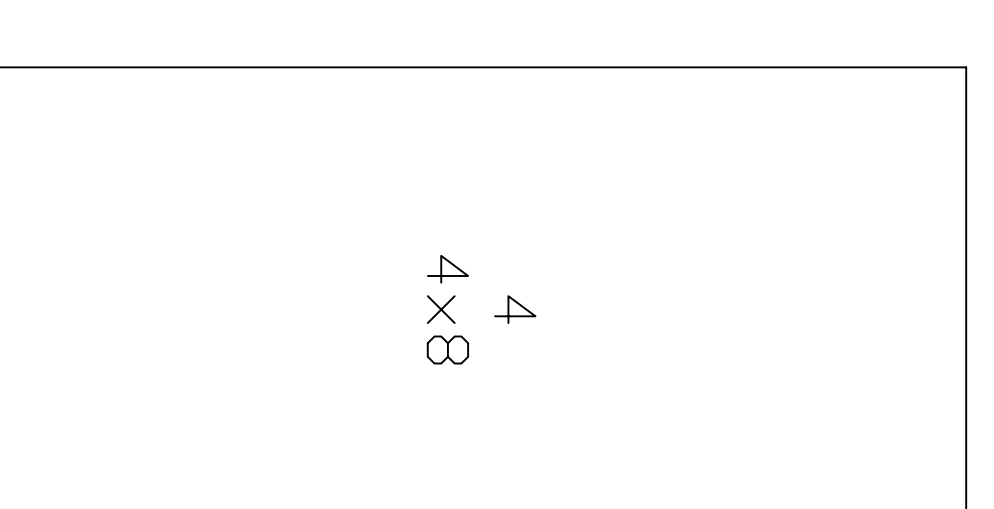
SHEET 2



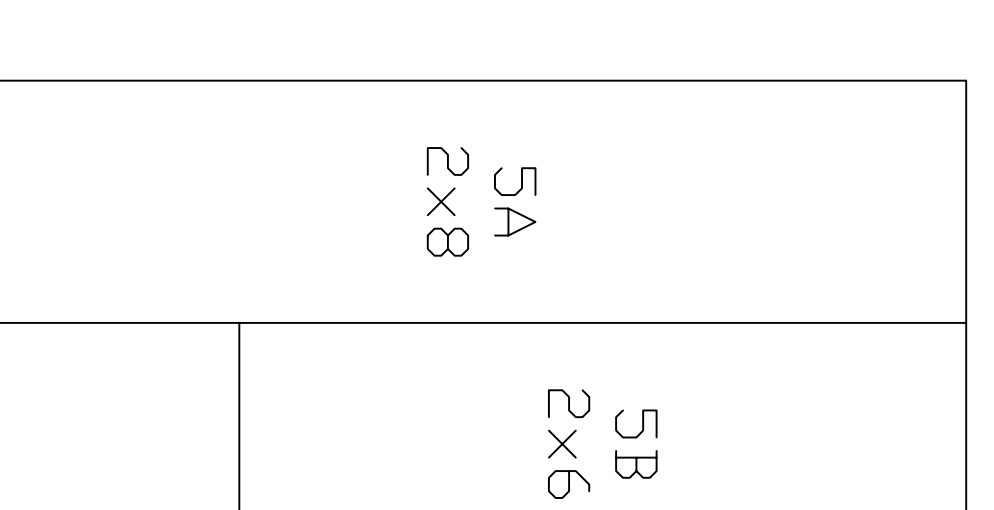
SHEET 3



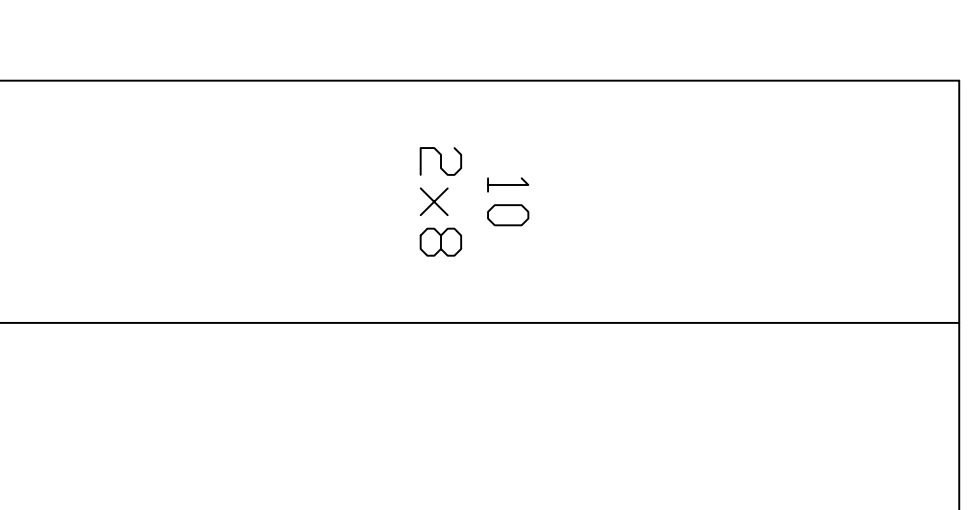
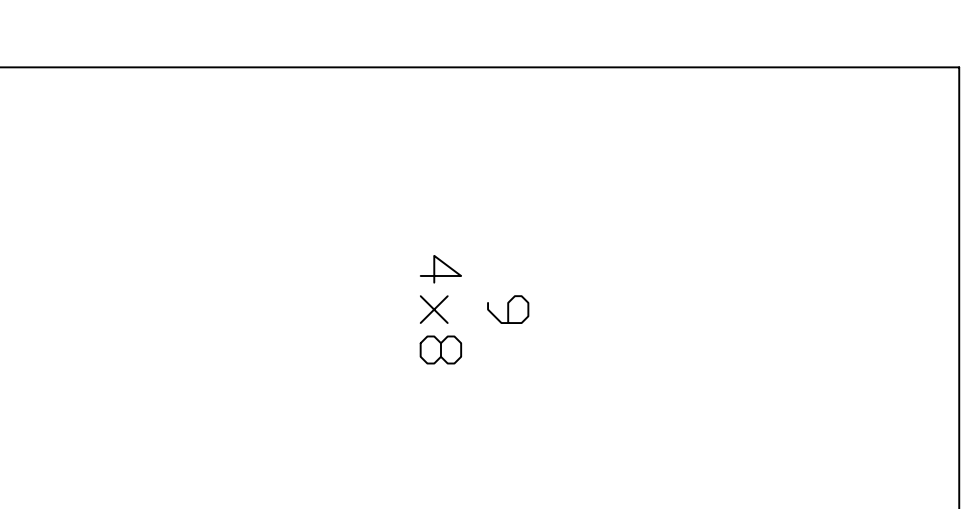
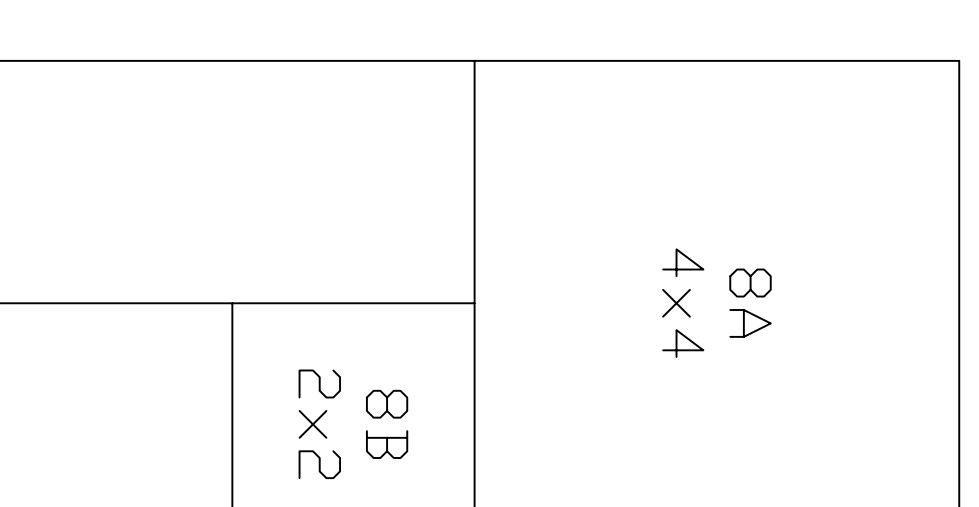
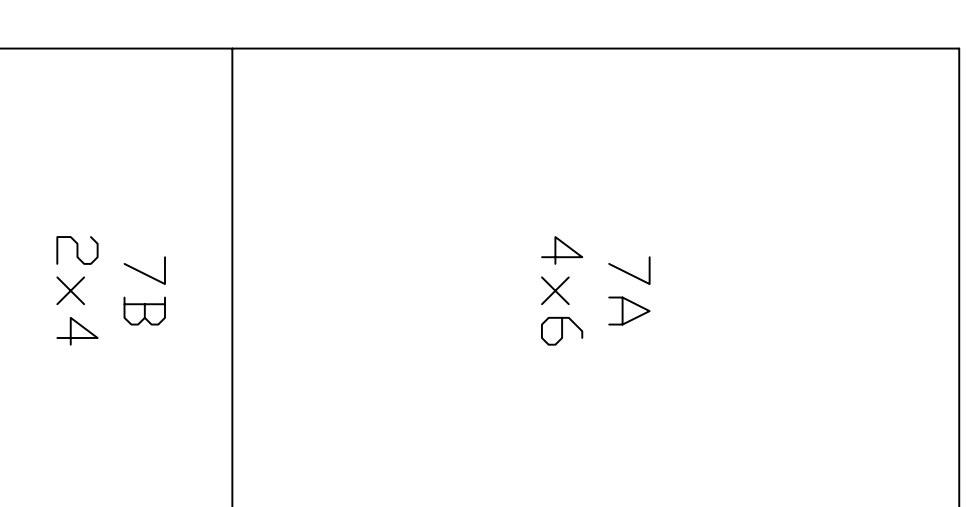
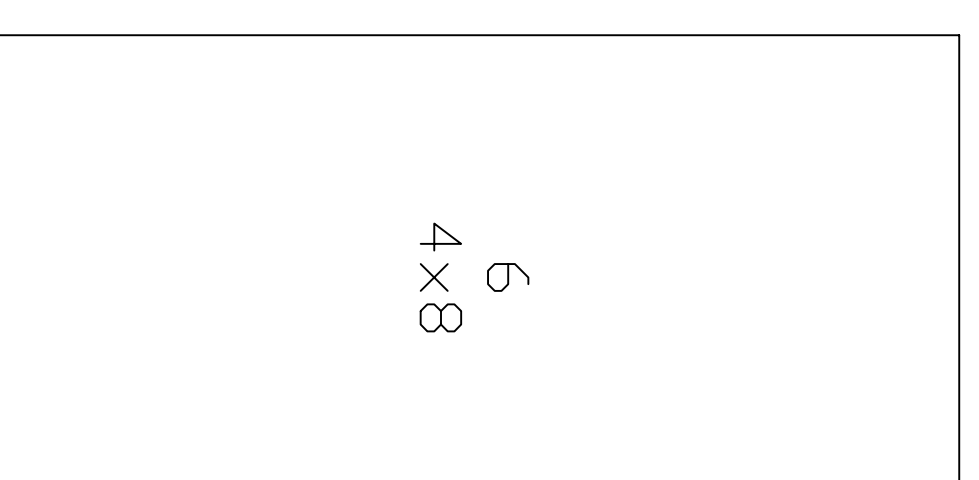
SHEET 4



SHEET 5



3/4" T&G



CUTTING LIST

- RED
 - 2 x 10' 6" Cut 16' leaves 2 x 10' each
 - 2 x 10' 4" Cut 8'
 - 2 x 10' 4" Cut 8'
- BLUE
 - 2 x 9' 6" Cut 12' leaves 2 x 10' each
 - 2 x 10' (cut 5')
 - 8 x 10'
- YELLOW
 - 2 x 10' 6" Cut 16' leaves 2 x 10' each
 - 2 x 10' 4" Cut 8'
 - 18 x 10'
- GREEN
 - 2 x 10' Cut 16' leaves 2 x 10' each
 - 2 x 10' Cut 16' leaves 2 x 10' each
- PT PLYWOOD (BOTTOM)
 - Sheet 1 - Full sheet 2' off one end
 - Sheet 2 - Cross cut in half (4')
 - Sheet 3 - 1/2" in half (2')
 - Sheet 4 - Full sheet
 - Sheet 5 - 1/2" in half (2')
- T&G PLYWOOD (TOP)
 - Sheet 1 - Cross cut 2' off one end
 - Sheet 2 - Cross cut in half (4') and cross cut 2' off
 - Sheet 3 - Full sheet
 - Sheet 4 - 1/2" in half (2')
 - Sheet 5 - 1/2" in half (2')
- TOTAL LUMBER
 - 1 - 2x6x8 PT
 - 1 - 2x6x8 PT
 - 4 - 2x6x8 PT
 - 4 - 2x6x8 PT plywood