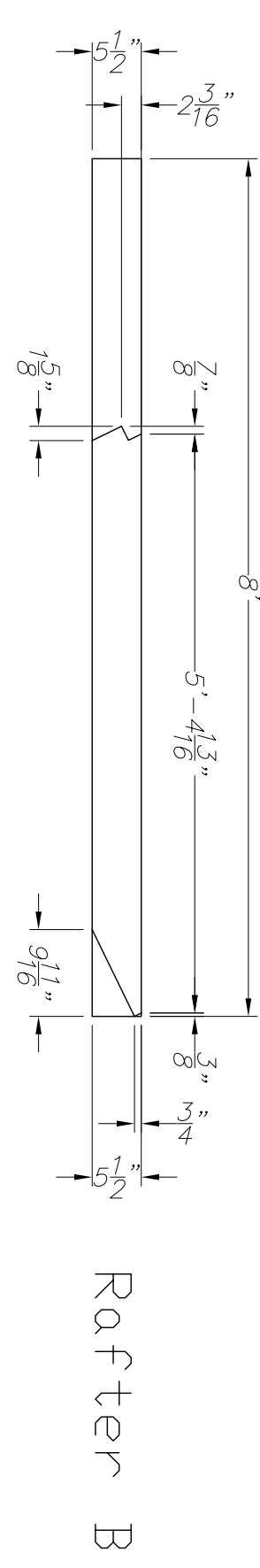
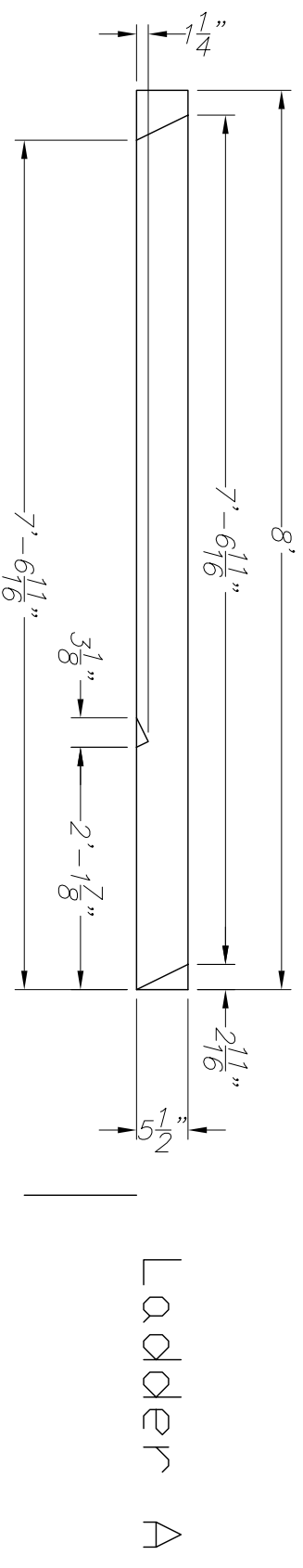


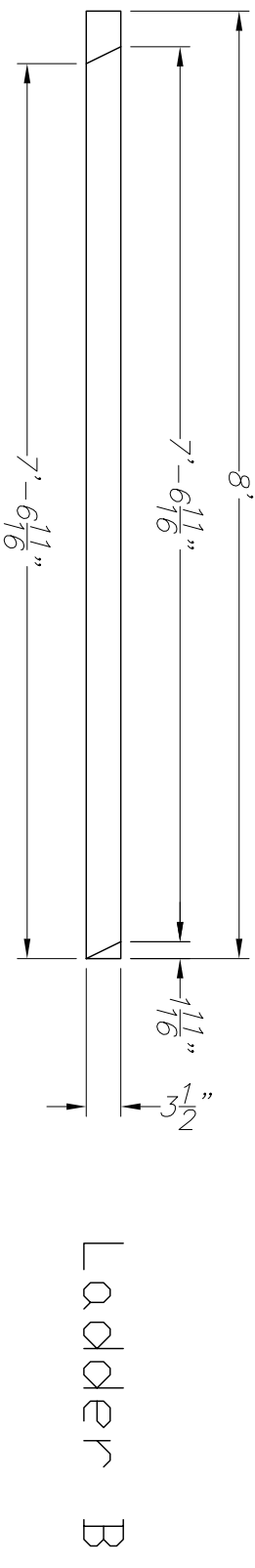
Rafter A



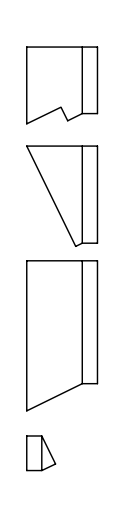
Rafter B



Ladder A

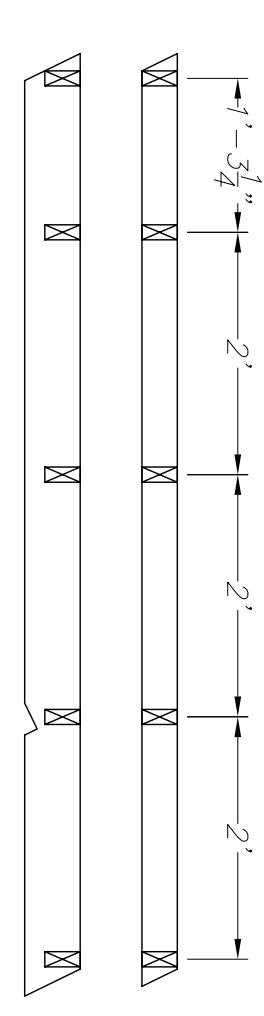
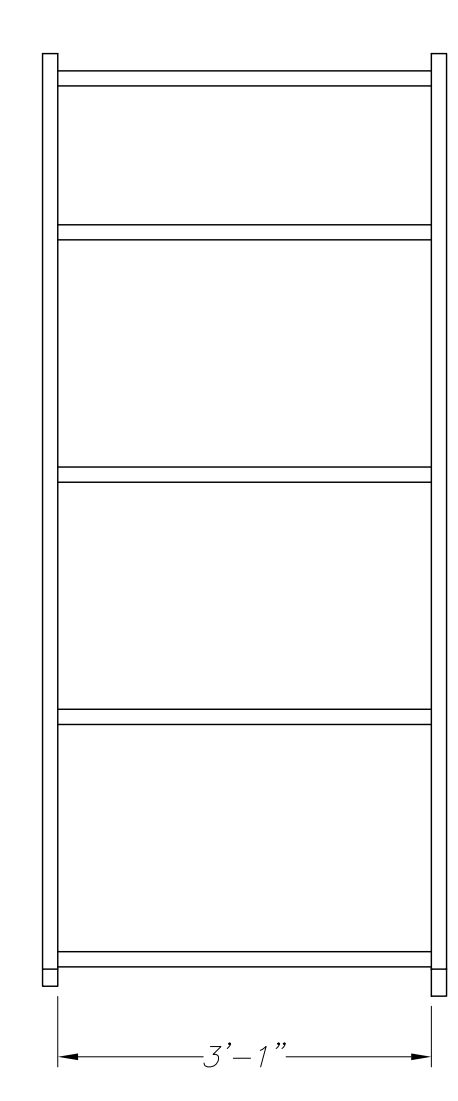
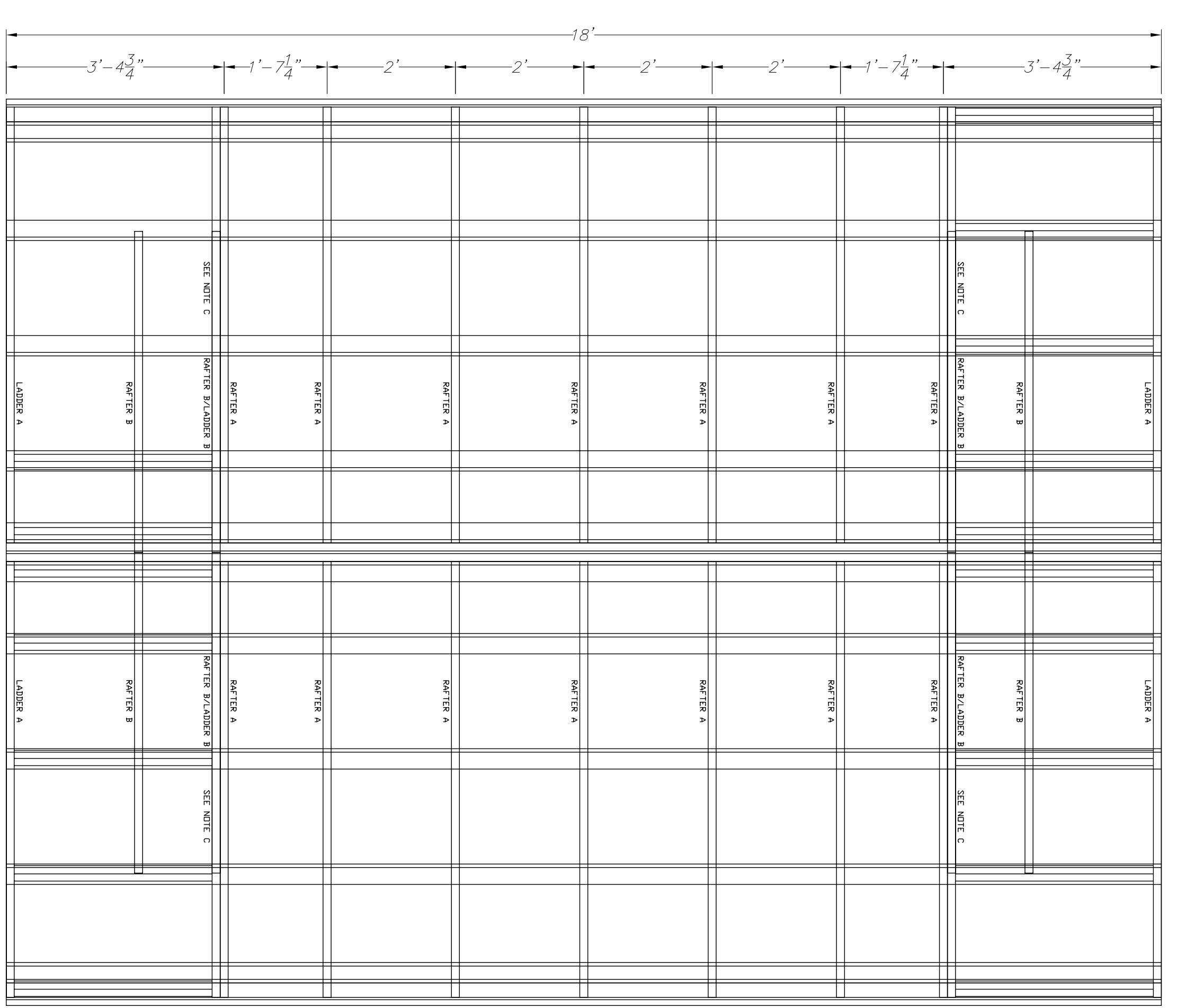
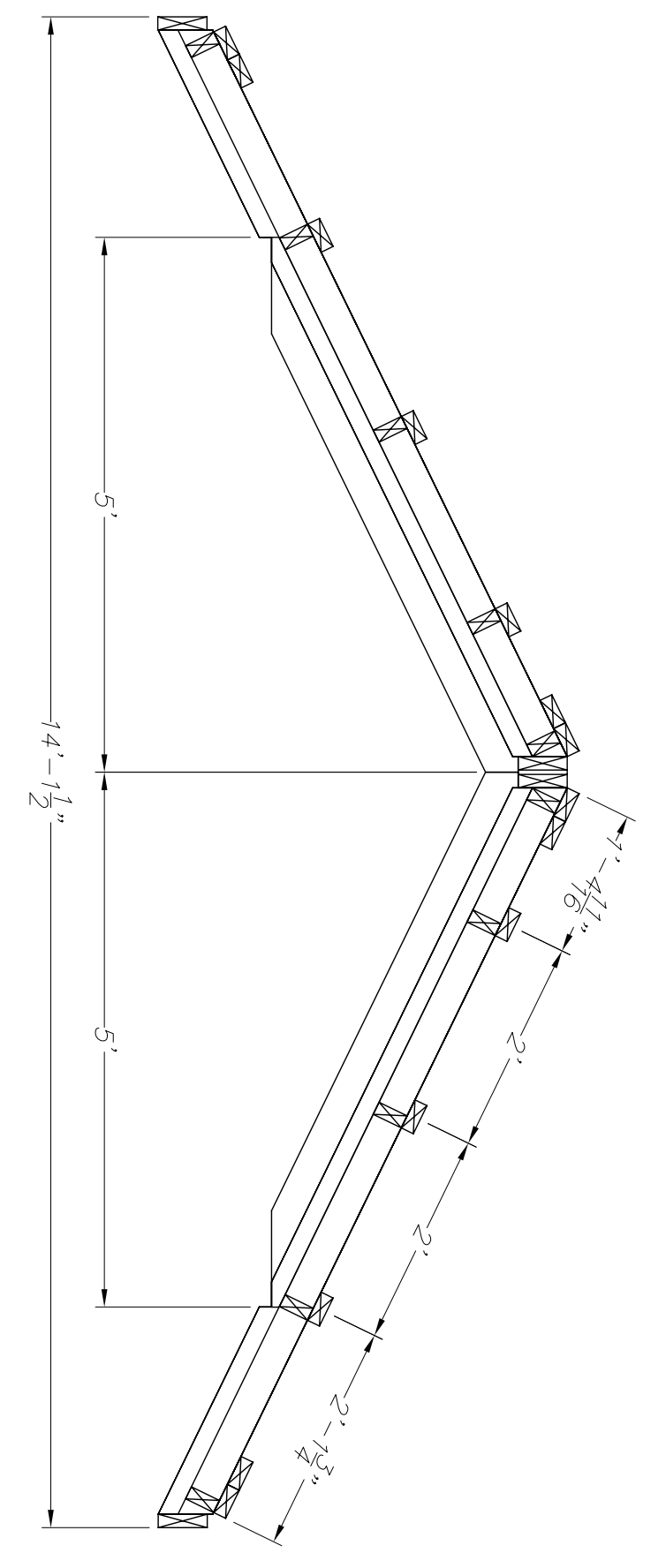
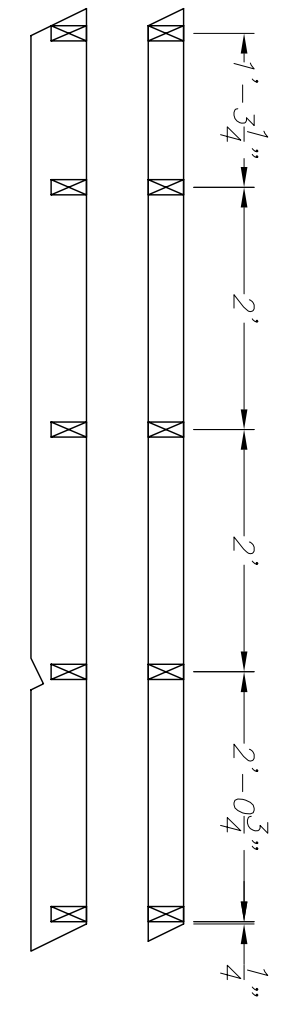
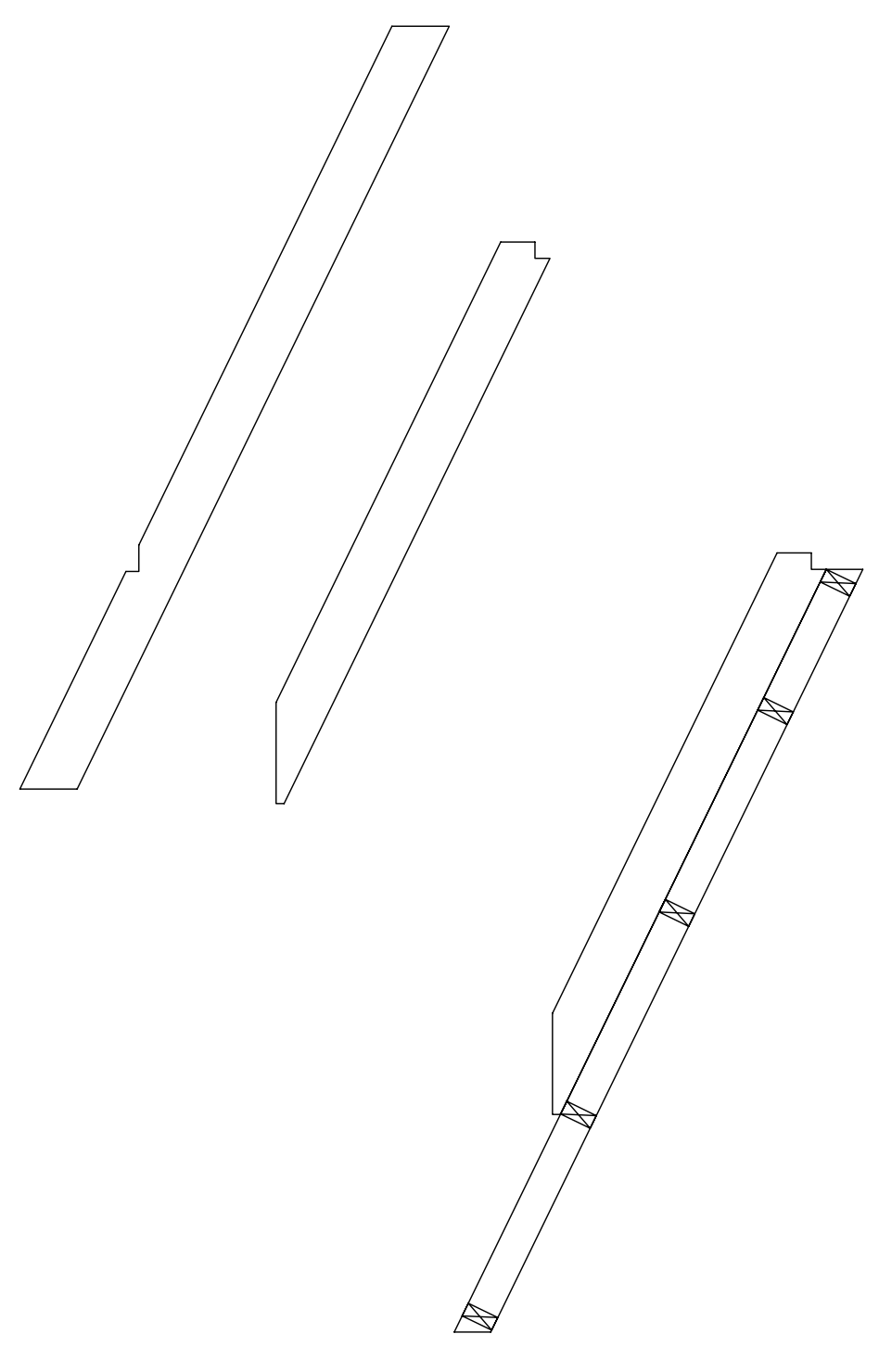


Ladder B



CUTS

What I've done in the past is plot these out (I) on my laser printer, then use the print outs to make plywood and strapping templates. I then measure from the end of the board and trace the plywood template. It makes markup for the cuts MUCH faster.



- 14' x 28' Roof
- Rafters
 - 14 - 2x6 x 8' (Rafter A)
 - 8 - 2x6 x 8' (Rafter B)
- Fascia
 - 5 - 2x6 x 8'
- Strapping
 - 32 - 2x4 x 8'
- Ladders
 - 10 - 2x4 x 8' (blocks)
 - 4 - 2x4 x 8' (Ladder A)
 - 4 - 2x6 x 8' (Ladder B)
- Ridge Beam
 - 2 - 2x6 x 8'
 - 2 - 2x6 x 12'

NOTE C

LADDER B sits on top of RAFTER B as shown. RAFTER B and LADDER B are shown as one unit. LADDER B one nailed to RAFTER A. Misalignment is for clarity only.

